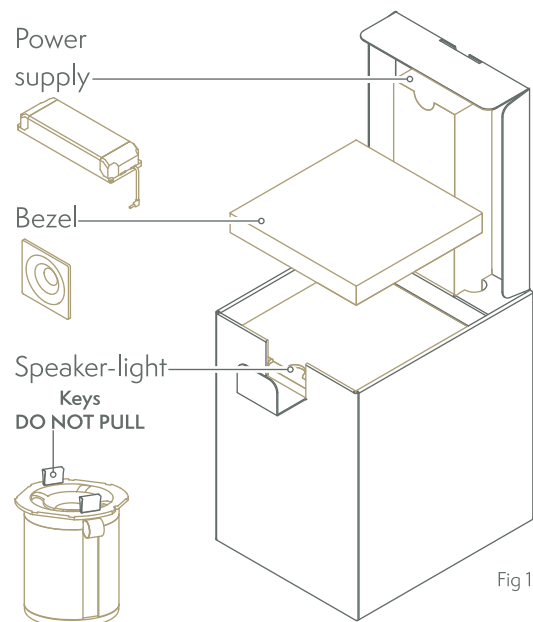


1. Introduction

Thank you for purchasing Zuma, the high end audio and natural lighting system.

Here you will find product specifications and a quick guide to get you started. Enjoy!

What's in the box:



Scan this QR code to watch our quick install video or visit www.zuma.ai/help



2. Preparation

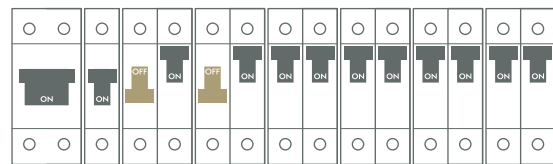


IMPORTANT: Installing Zuma requires working with mains voltage. If you are not experienced in working with mains voltage please consult a registered certified electrician.

Install Zuma units one room at a time.

IMPORTANT

Turn off mains power for the lighting circuit of each room where Zuma will be installed.



Check there are no obstructions such as joists, pipes or cables in installation positions. Ensure positions have clearance as per Fig 3.

Items you will need:

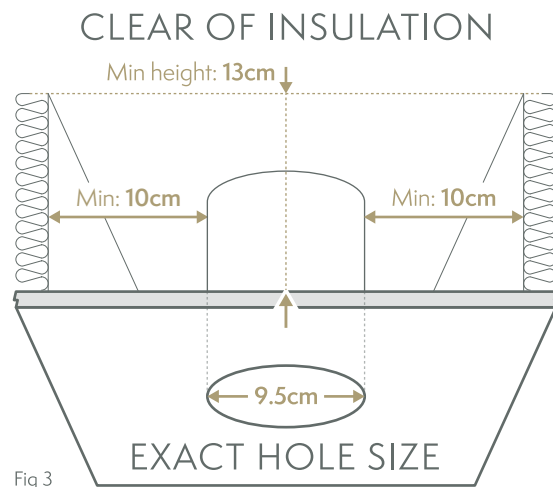
- 95mm (3¾") rotary hole saw with drill.
- A Wi-Fi® network with an active internet connection.
- An iOS device with iOS 14.4 or later to setup your system.

3. Before you Install

You can install **up to 9 Zuma Speaker Lights** on any single 6amp B type MCB without any other devices on the circuit. Consult an electrician if you intend to install 10 or more Speaker-Lights on one circuit.

Power Supply (75W): Input 220 - 240V AC
Output: +24V DC
Max Continuous Power (25W)

The product must operate in a void where insulation is distanced from the product as per Fig 2. The product must only be attached to a ceiling that is 1.2cm to 3cm thick.



4. Drilling holes

If you are **cutting new mounting holes** in your ceiling, use a **95mm (3¾")** rotary hole saw with drill as per Fig 3. Inspect holes and ceiling cavity ensuring edges are not damaged.

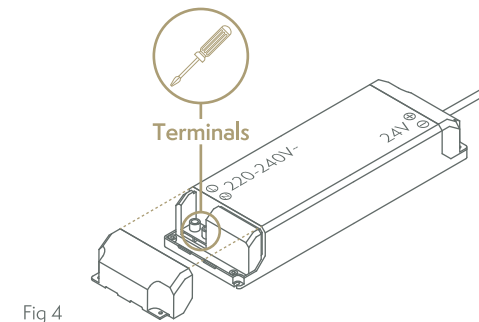
If you're **expanding existing holes** please check www.zuma.ai/help for tips on how to do so easily and effectively.



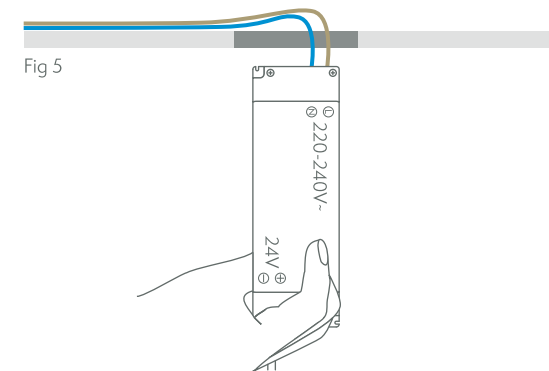
IMPORTANT: Do not install Zuma with dimmer switches. If you have dimmers remove them from the lighting circuits and replace them with regular switches.

5. Wiring

Unscrew the cover on the mains side of the power supply noted **220-240V~** to access the terminals indicated in Fig 4.

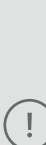
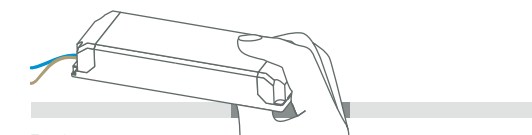


Connect the live and neutral cable from your lighting circuit to the high voltage terminals marked **220-240V~** as per Fig 5. Tighten the screw terminals to secure the cables. **Replace the cover and re-screw it to clamp the cable.**



6. Installing Zuma

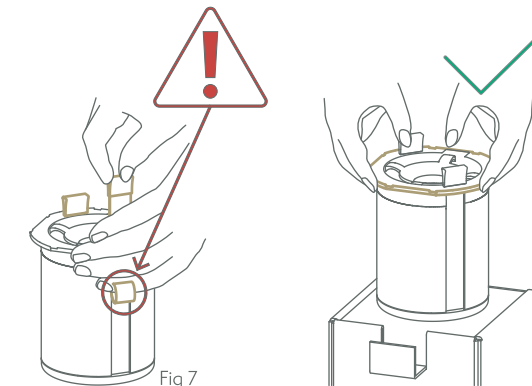
Place power supplies in the ceiling.



IMPORTANT: For the best sound quality, secure the power supply to a safe location in the ceiling cavity. Ensure there are no slack cables or objects which could vibrate in the ceiling. It is recommended you follow local legal requirements and regulations when doing so.

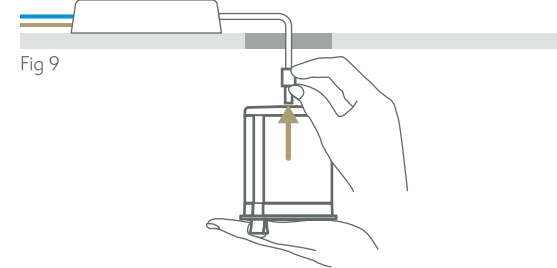
DO NOT PULL THE KEYS OUT AS PER FIG 7 RISK OF INJURY

Lift the unit out of the box as per Fig 8.

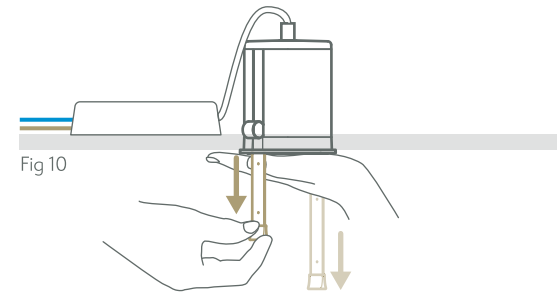


7. Connecting Zuma

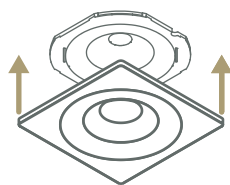
Attach the power supply unit connector to the Zuma unit.



Hold the Zuma unit to the ceiling and remove both keys gently to secure it to the ceiling. Please retain at least one set of keys after completing your install.



Attach the bezel and check orientation.



8. Download Zuma app

The Zuma app will walk you through connecting your Zuma units to your Wi-Fi network and managing your Zuma units.



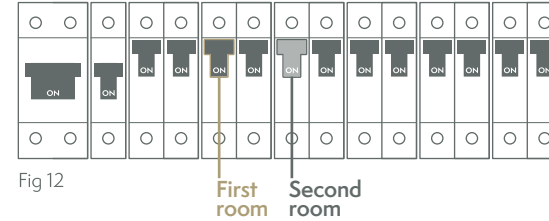
Search for Zuma on the App Store or visit: www.zuma.ai

Launch the app and follow the steps to install and configure your Zuma units.

For connecting other services including Alexa, please follow the instructions within the app.

9. Switch on power

Once instructed to do so in the app, power up your first room at the consumer unit and light switch. The main LEDs will turn on.



IMPORTANT: If the main LED of any Zuma unit doesn't turn on, re-check the wiring for that unit.

Configure the Zuma units in your first room when prompted to do so by the app, then move on to the next room.



IMPORTANT: Once you turn on the power, you will have 15 mins to configure your Zuma units. If this time lapses and you have not configured your Zuma units, please refer to instructions in the app.

Congratulations on configuring your Zuma units. Now you're ready to control your lights and play music.

10. Can we help?

For additional help and to get the most from your Zumas, please visit www.zuma.ai/help or email us at help@zuma.ai

Alternatively, scan the following QR code to watch our easy to follow support and installation videos.



The Bluetooth® word mark and logos are registered trademarks owned by Bluetooth® SIG, Inc. and any use of such marks by Zuma Array Ltd. is under license. Other trademarks and trade names are those of their respective owners.



The Wi-Fi CERTIFIED logo is a registered trademark of the Wi-Fi Alliance. Wi-Fi Certification provides assurance that the device has passed the interoperability test conducted by the Wi-Fi Alliance, a group that certifies interoperability among wireless LAN devices.



Amazon, Alexa and all related logos are trademarks of Amazon.com, Inc.



The Spotify software is subject to third party licenses found here: <https://www.spotify.com/connect/third-party-licenses>.



Use of the Works with Apple badge means that an accessory has been designed to work specifically with the technology identified in the badge and has been certified by the developer to meet Apple performance standards. Apple, iPad, iPad Air, iPad Pro, iPhone and AirPlay are trademarks of Apple Inc., registered in the U.S. and other countries. To control this AirPlay 2 enabled speaker, iOS 11.4 or later is required.



ZUMA

Installer Guide

To review your warranty coverage, please visit www.zuma.ai.

© 2021 ZUMA Array Limited or its affiliates.

Zuma and all related logos are trademarks of Zuma Array Limited or its affiliates.

The registered office of Zuma Array Limited is:
5 Garden Walk, London, United Kingdom, EC2A 3EQ.